

# Altis Gen5

# THORN

96684152 ALG5 GB LE 2100W 0.85A 550V 3CH RDMX

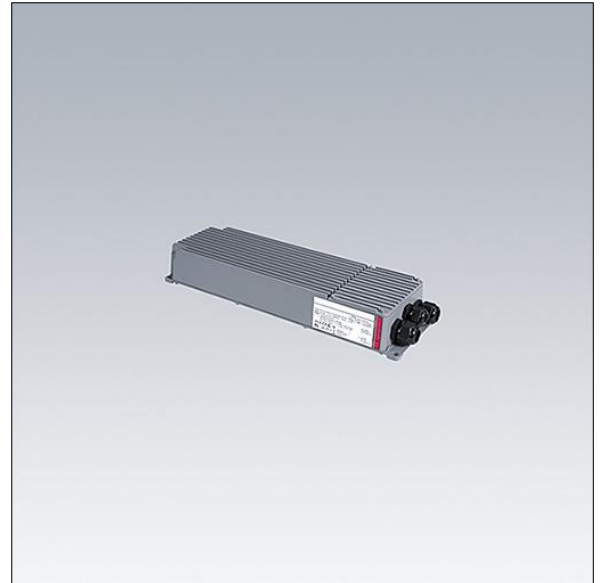
IP66 IK08    

## Altis Gen5

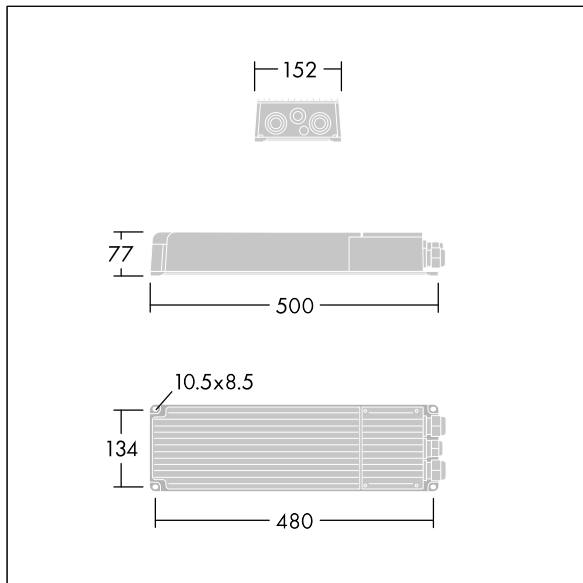
Class I, DMX RDM programmable gearbox, with 3 independent output channels and IP66 enclosure, for TV broadcasting applications. Suitable for dedicated 432 / 456 / 480 / 504 LED Altis floodlight, to be installed remotely up to 200m from the floodlight. Nominal input voltage: 200-440, output current 850mA with DMX RDM configurable single-channel, IEEE 1789 flicker recommended practice compliant suitable for super slow motion camera filming, surge level 10kV for both common mode and differential.

Connection from mains via terminal blocks. Mains supply must be fused according to local safety regulations.

Weight: 5.8 kg.



TLG\_ALG5\_F\_GB\_LE\_2100W.jpg



TLG\_ALG5\_M\_GB\_LE\_2100W.wmf