

Altis Gen5

THORN

96684148 ALG5 GB LE 2100W 1.05A 550V 3CH DA

IP66 IK08    Ta45

Altis Gen5

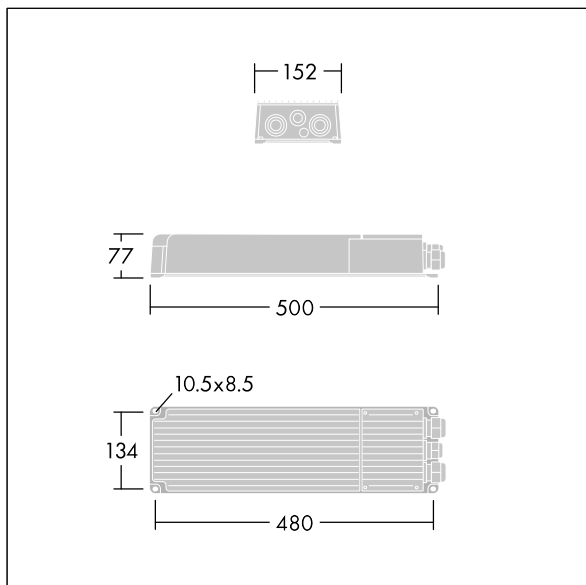
Class I, DALI 2 programmable gearbox, with 3 independent output channels and IP66 enclosure, for TV broadcasting applications. Suitable for dedicated 432 / 456 / 480 / 504 LED Altis floodlight, to be installed remotely up to 200m from the floodlight. Nominal input voltage: 200-440, output current 1050mA with DALI 2 configurable single-channel, IEEE 1789 flicker recommended practice compliant suitable for super slow motion camera filming, surge level 10kV for both common mode and differential.

Connection from mains via terminal blocks. Mains supply must be fused according to local safety regulations.

Weight: 5.8 kg.



TLG_ALG5_F_GB_LE_2100W.jpg



TLG_ALG5_M_GB_LE_2100W.wmf