

Voyager One

THORN

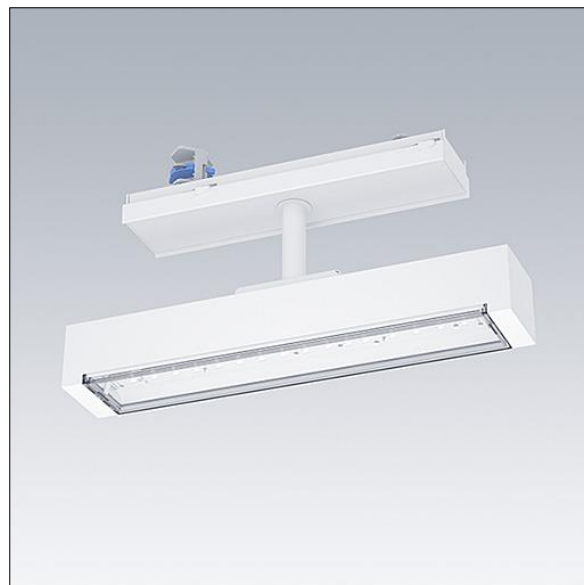
96636589 VOYAGER ONE CON ANT E3T S WH

T_a -5 +30	IP20	IK03			T_a 0 +35
-----------------	------	------	---	---	----------------

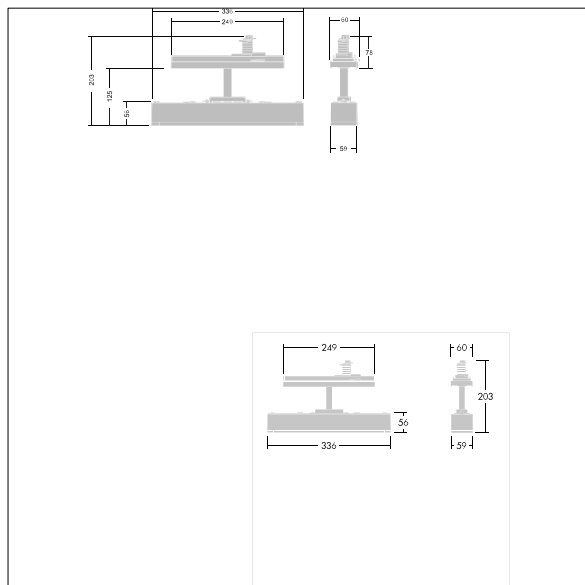
Voyager One

Slim IP20 LED emergency lighting luminaire; Luminaire with local battery supply for 3 h emergency lighting in maintained or non-maintained mode, with automatic test (auto-test) via the luminaire, display of luminaire status via status LED; ; ; additional click-optics optimised for escape routes and open areas from higher mounting heights available; Click in legends for viewing from a maximum distance of 23 m and 30 m available to convert to escape sign luminaire; housing made of polycarbonate white; cover mode of transparent polycarbonate; Tool-less 'click' mounting; zero maintenance thanks to LED technology; service life of 50,000 h at constant luminous flux; Power supply: 220/240 V AC; Luminaire input power: 4 W; IP20; class of protection: SC2; Impact strength: IK03; Dimensions: 336 x 59 x 158 mm; weight: 0.65 kg

Self-contained emergency luminaires rely on long-lasting batteries. Thorn batteries are robust and comes with a three-year guarantee (applicable subject to the terms and conditions of and to the extent as set forth in the manufacturer's guarantee on Thorn products, which shall be applicable analogously and which is available under http://www.thornlighting.com/en/products/5-year-guarantee/5-year-warranty/terms-of-guarantee_en.pdf. The battery guarantee shall not come into effect if the product has been installed later than three(3) months after delivery EXW (Incoterms 2010).



TLG_VOYO_F_CONTUS.jpg



TLG_VOYO_M_CONTUS.wmf

Alle værdier markeret med * er nominelle værdier. Thorn bruger gennemprøvede komponenter fra førende leverandører, men der kan opstå isolerede tilfælde af teknologi-relaterede svigt på særskilte LED i løbet af det klassificerede produkts levetid. Internationale standard sætter tolerancen ved bevaret lysudbytte og tilsluttet belastning til ± 10 %. Medmindre andet er angivet, gælder værdierne for en omgivelsestemperatur på 25° C.

Thorn Lighting foretager løbende videreudvikling og optimering af sine produkter. Der forbeholdes alle rettigheder til at ændre på specifikationerne uden forudgående varsel eller offentlig bekendtgørelse. © Thorn Lighting