

IP65	IK07	Class I	CE
------	------	---------	----



Presentation

DMX splitter with protective canopy and 4 DMX active outputs and 1 passive output, supplied ready for use in an IP65 box

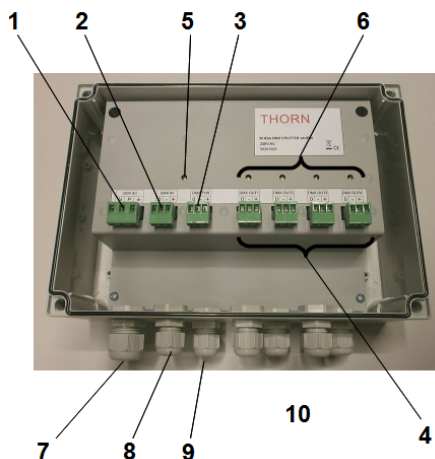
The splitter provides preventive protection of the DMX Controller used in outdoor installation. It also enables the extension of DMX networks both in distances and number of luminaires.

Design notes

The Sensa DMX splitter has several functions:

- it is recommended to install the splitter as a protection for the DMX Controller against electrical problems that may occur on the network with the luminaires (upsurges, etc),
- the splitter's 4 isolated outputs enables the distribution of the DMX signal on 4 independent sub-networks,
- the splitter can be used as a signal repeater for distances exceeding 200m,
- the splitter increases the number of luminaires that are connected to one DMX bus, ie up to 32 on each output,
- the 'DMX thru' output repeats passively the DMX signal and can be used to connect an additional splitter in order to increase the overall number of outputs. In that case, the 120 ohm resistor on the product is not needed.

Product features



1	Power supply
2	DMX input
3	DMX passive copy
4	DMX outputs
5	LED indicator for power on (fix)
6	LED indicator for DMX outputs (on = blinking)
7	Cable gland for power cable
8	Cable gland for DMX input
9	Cable gland for DMX passive copy
10	Cable glands for DMX outputs

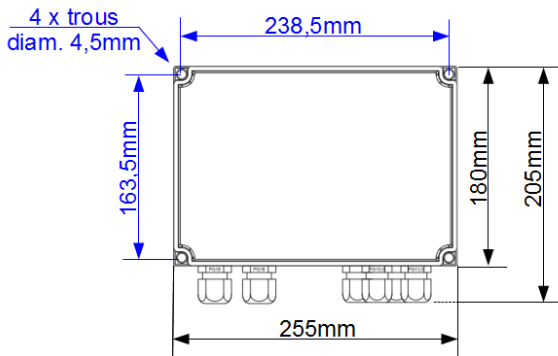
SENSA DMX SPLITTER x4 IP65

SAP code 96261605

4 output DMX splitter in IP65 box

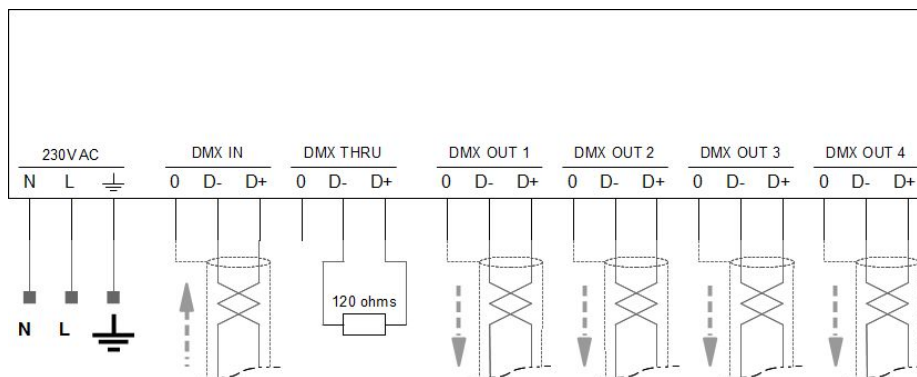
IP65	IK07	Class I	CE
------	------	---------	----

Technical features



Voltage supply	230V AC
DMX 512 ports	1 input, 1 passive copy, 4 outputs
LED indicators	Power on (fix), DMX outputs (on = blinking)
Connections	Screw connectors for cable 2,5 mm ² maxi
Cable glands	Power : M20 / cable diam. 5 to 12 mm DMX outputs : M16 / cable diam. 2,5 -8mm
Dimensions	255 x 205 x 100 mm
Weight	1,36 Kg
Operating temperature	-20 to 40 °C

Wiring



Warnings

- Do not place the SENA DMX CONTROLLER KIT on instable surfaces
- Do not position the SENA DMX CONTROLLER KIT in places where a risk of walking or tripping on cables may occur
- Protect from direct sun exposure, heating devices, rain, humidity, dust, liquids, magnetic fields
- Operating temperatures: 0°C to +40°C
- Do not use the SENA DMX CONTROLLER KIT during thunder storm
- Do not connect the SENA DMX CONTROLLER KIT when it is powered
- Do not use damaged cables or accessories with the SENA DMX CONTROLLER KIT
- Do not undertake maintenance operations as it may cancel the warranty